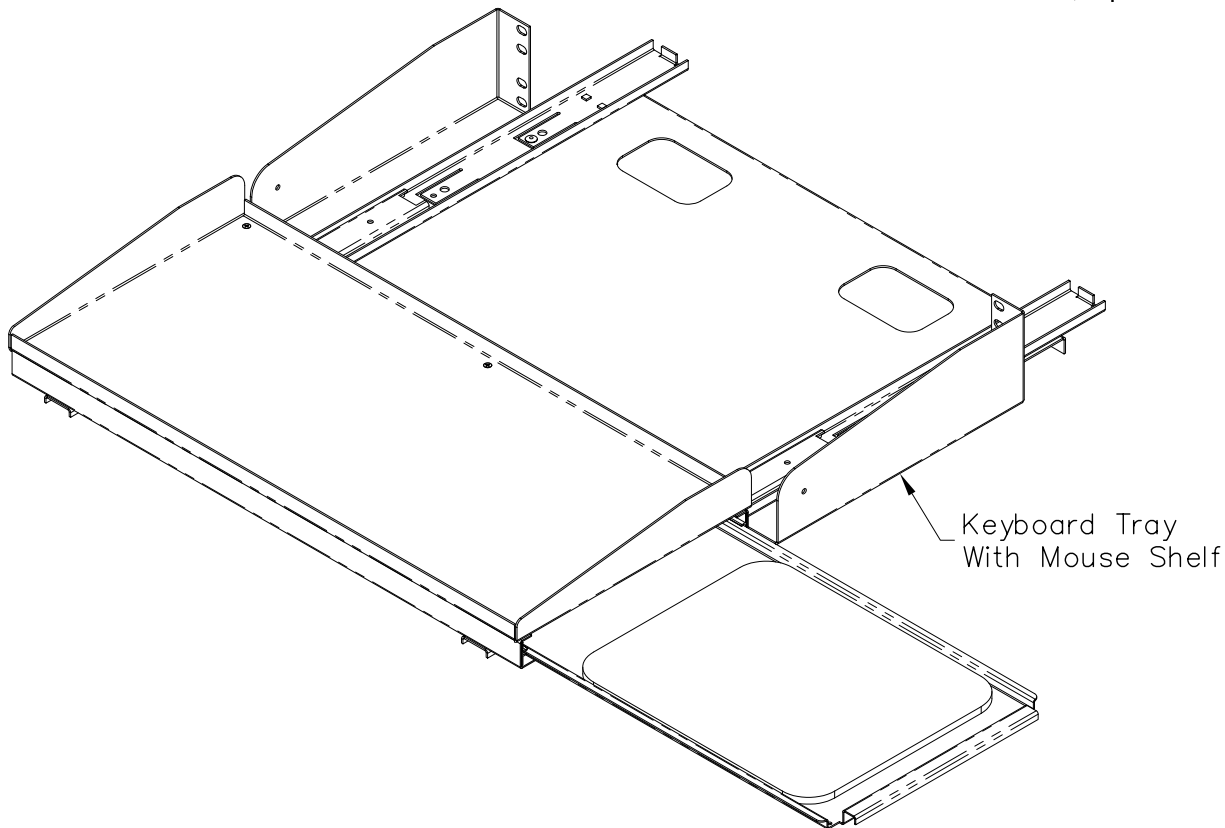


Keyboard Tray With Mouse Shelf

PRODUCT SPECIFICATION

Package includes:

- A. Keyboard Tray With Mouse Shelf, 1 pc
- B. #12-24 x 5/8" Pan Head, Pilot Point Machine Screw, 4 pcs



Features and Benefits:

- Designed with steel construction, black powder coated, lightweight and sturdy, comes with a built-in mouse tray which can be slid out to either left or right side
- Includes a mouse pad
- Designed to fit all standard 19" racks and cabinets
- 2 rack mount space (RMS)
- Used with all ICCMS distribution and cable management racks

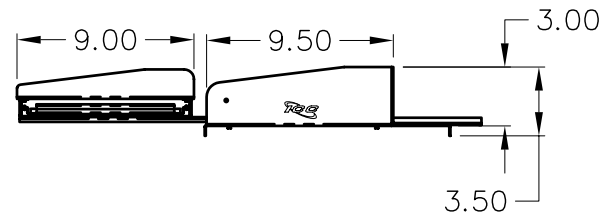
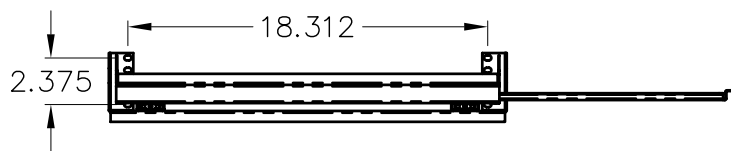
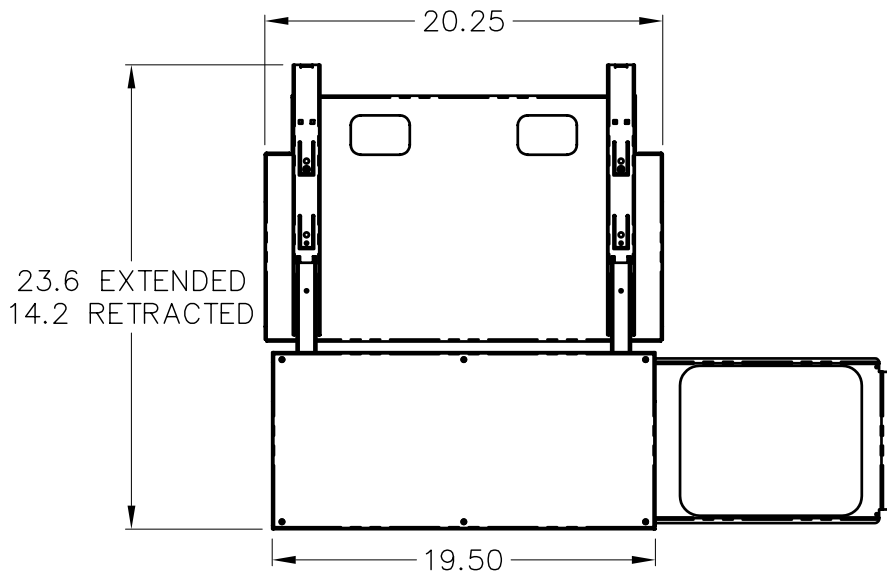
KEYBOARD TRAY WITH MOUSE SHELF, 2 RMS

ITEM NO.	ICCMSRKP10
DWG NO.	PSCMSRKP10

REV.	A
PAGE NO.	1



CUSTOMER CARE / TECHNICAL SUPPORT * CSR@ICC.COM / 888-ASK-4-ICC (275-4422) * 16800 Edwards Road, Cerritos, CA 90703 * Phone 562-356-3111 * Fax 562-356-3100 * www.icc.com



NOTE: UNLESS OTHERWISE SPECIFIED

1. MATERIAL:
 - A. RACK SHELF: 16 GA CRS
 - B. BASE TRAY, KEYBOARD TRAY, & MOUSE PAD TRAY: 18 GA CRS
2. SURFACE FINISH: BLACK POWDER COAT
3. TRAY USES BALL BEARING SLIDES, 10" SLIDE TRAVEL, 130 LB LOAD RATING PER PAIR
LOCKS IN EXTENDED POSITION

KEYBOARD TRAY WITH MOUSE SHELF, 2 RMS

ITEM NO. ICCMSRKP10
DWG NO. PSCMSRKP10

REV. A
PAGE NO. 2



CUSTOMER CARE / TECHNICAL SUPPORT * CSR@ICC.COM / 888-ASK-4-ICC (275-4422) * 16800 Edwards Road, Cerritos, CA 90703 * Phone 562-356-3111 * Fax 562-356-3100 * www.icc.com