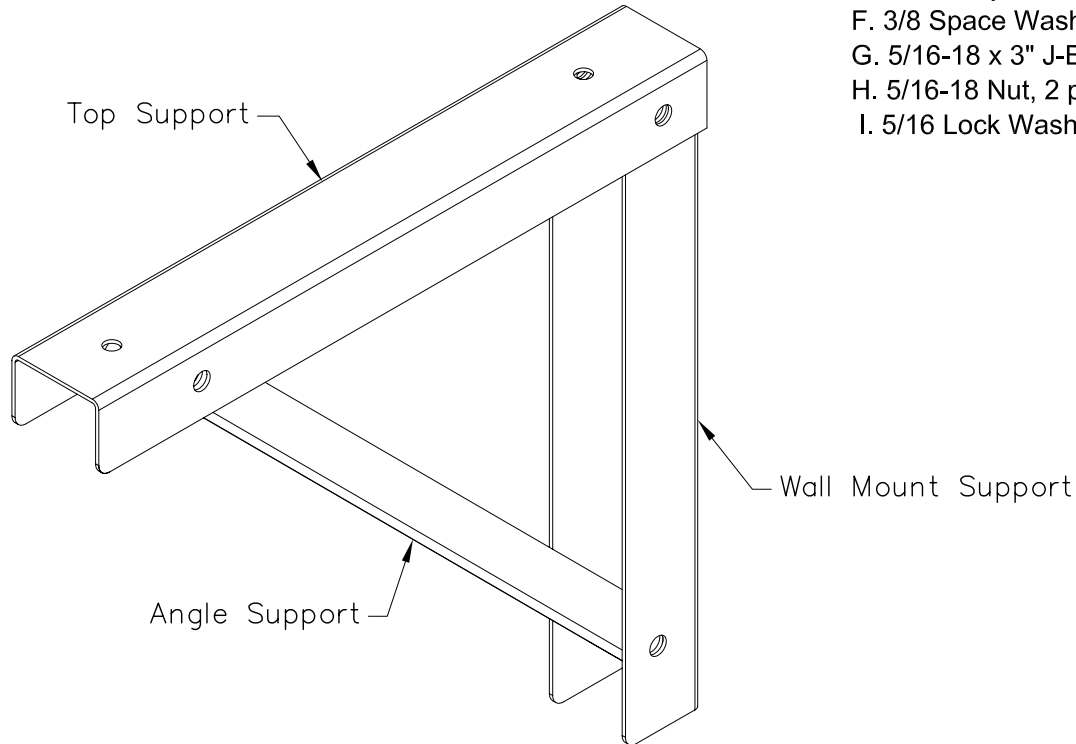


Wall Support Triangle Runway Kit

PRODUCT SPECIFICATION

Package includes:

- A. Top Support, 1 pc
- B. Wall Mount Support, 1 pc
- C. Angle Support, 1 pc
- D. 3/8-16 x 2 1/4" Bolt, 3 pcs
- E. 3/8-16 Nylon Lock Nut, 3 pcs
- F. 3/8 Space Washer, 3 pcs
- G. 5/16-18 x 3" J-Bolt, 2 pcs
- H. 5/16-18 Nut, 2 pcs
- I. 5/16 Lock Washer, 2 pcs



Features and Benefits:

- Designed with durable steel construction, black powder coated, providing strength and stability for long lasting use
- Designed to form a triangle wall mounting support after assembly and hold ladder rack runways parallel to the wall
- Used with ICCMSLST ladder rack runways

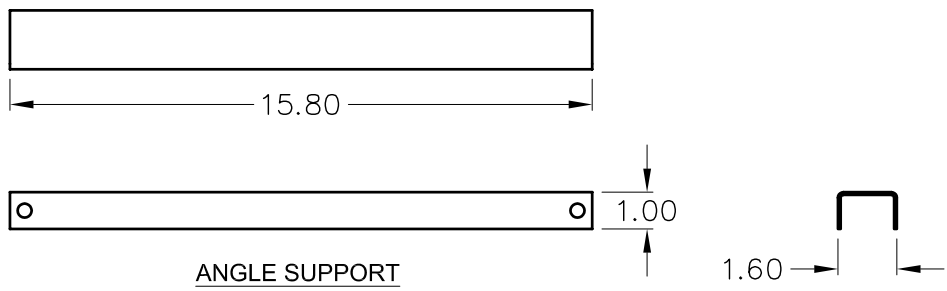
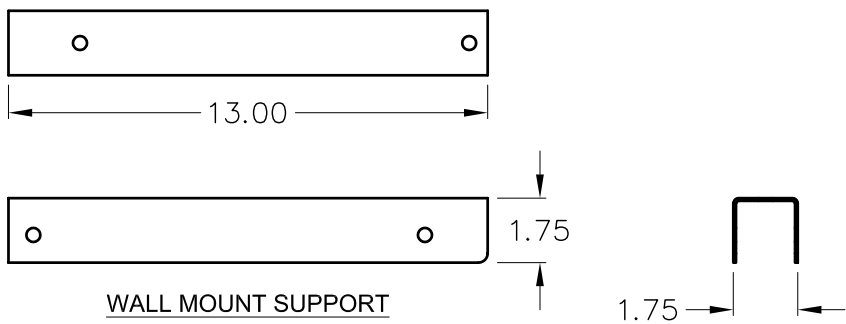
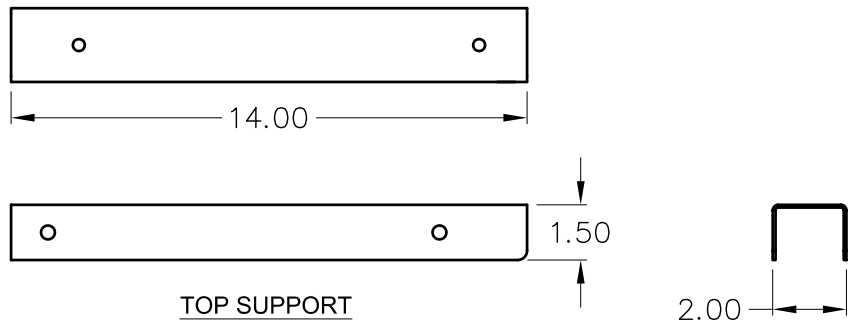
RUNWAY KIT, WALL SUPPORT TRIANGLE

ITEM NO.	ICCMSLTWSK
DWG NO.	PSCMSLTWSK

REV.	A
PAGE NO.	1




CUSTOMER CARE / TECHNICAL SUPPORT * CSR@ICC.COM / 888-ASK-4-ICC (275-4422) * 16800 Edwards Road, Cerritos, CA 90703 * Phone 562-356-3111 * Fax 562-356-3100 * www.icc.com



NOTE: UNLESS OTHERWISE SPECIFIED

- 1. MATERIAL: 14 GA CRS
- 2. SURFACE FINISH: BLACK POWDER COAT

RUNWAY KIT, WALL SUPPORT TRIANGLE		
ITEM NO.	ICCMSLTWSK	
DWG NO.	PSCMSLTWSK	PAGE NO. 2

CUSTOMER CARE / TECHNICAL SUPPORT * CSR@ICC.COM / 888-ASK-4-ICC (275-4422) * 16800 Edwards Road, Cerritos, CA 90703 * Phone 562-356-3111 * Fax 562-356-3100 * www.icc.com