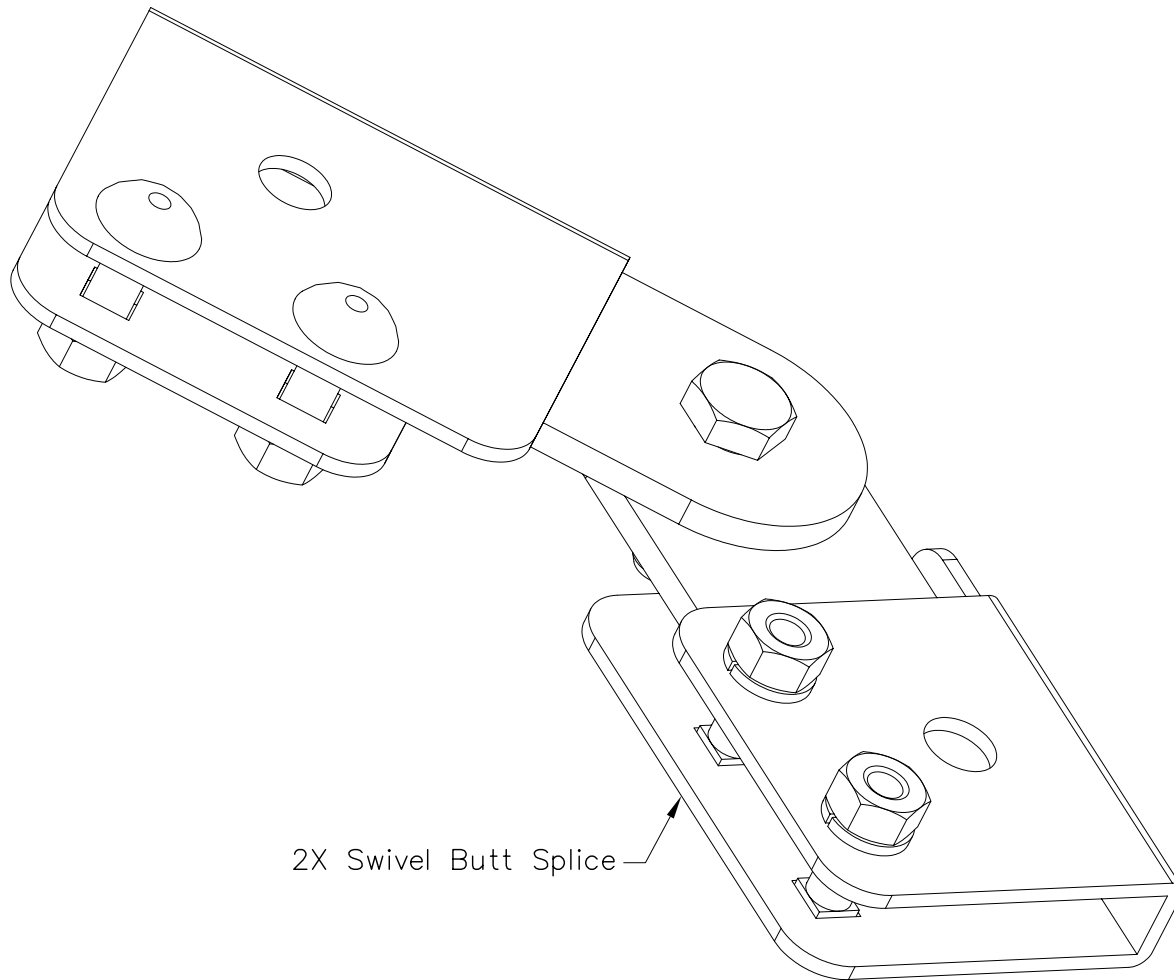


Swivel Butt Splice Runway Kit

PRODUCT SPECIFICATION

Package includes:

A. Swivel Butt Splice , 2 pcs



Features and Benefits:

- Designed with durable steel construction, black powder coated, providing strength and stability for long lasting use
- Enables runway section ends to be adjusted at various angles
- Used with ICCMSLST ladder rack runways

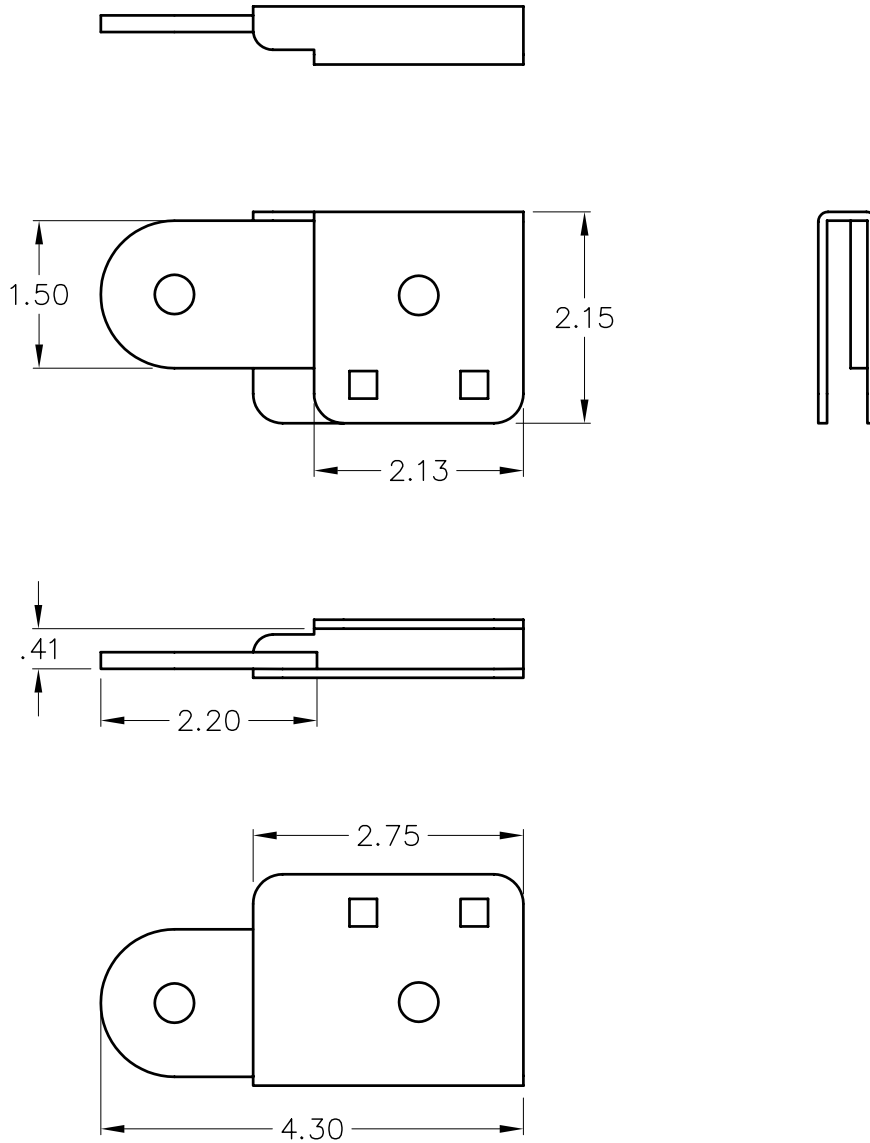
RUNWAY KIT, BUTT SPLICE, SWIVEL, 2 EA

ITEM NO. ICCMSLESSK
DWG NO. PSCMSLESSK

REV. A
PAGE NO. 1




CUSTOMER CARE / TECHNICAL SUPPORT * CSR@ICC.COM / 888-ASK-4-ICC (275-4422) * 16800 Edwards Road, Cerritos, CA 90703 * Phone 562-356-3111 * Fax 562-356-3100 * www.icc.com



NOTE: UNLESS OTHERWISE SPECIFIED

1. MATERIAL: 12 GA CRS
2. SURFACE FINISH: BLACK POWDER COAT

RUNWAY KIT, BUTT SPLICE, SWIVEL, 2 EA		 <i>Premium Products</i> <i>Proven Performance</i> <i>Competitive Prices</i>	
ITEM NO.	ICCMSLESSK		REV. A
DWG NO.	PSCMSLESSK	PAGE NO.	2

CUSTOMER CARE / TECHNICAL SUPPORT * CSR@ICC.COM / 888-ASK-4-ICC (275-4422) * 16800 Edwards Road, Cerritos, CA 90703 * Phone 562-356-3111 * Fax 562-356-3100 * www.icc.com