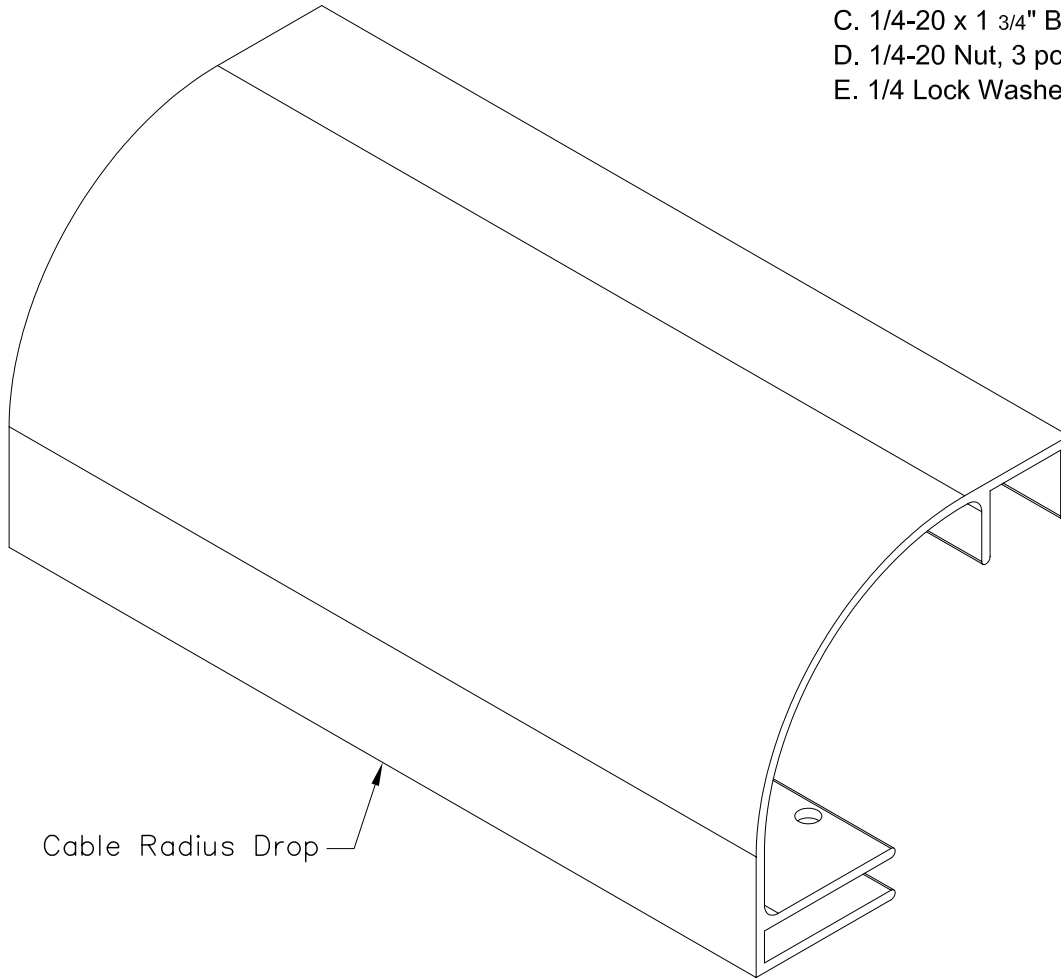


Cable Radius Drop Runway Kit

PRODUCT SPECIFICATION

Package includes:

- A. Cable Radius Drop, 1 pc
- B. 1/4-20 x 1" Bolt, 3 pcs
- C. 1/4-20 x 1 3/4" Bolt, 3 pcs
- D. 1/4-20 Nut, 3 pcs
- E. 1/4 Lock Washer, 3 pcs



Features and Benefits:

- Designed with durable steel construction, black powder coated, providing strength and stability for long lasting use
- Designed to be attached to the rungs of ladder racks to maintain bend radius at drop points
- Used with ICCMSLST ladder rack runways

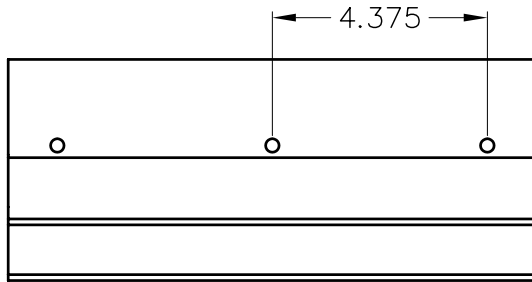
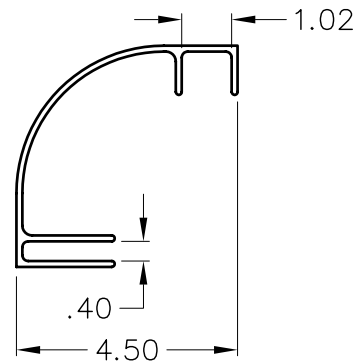
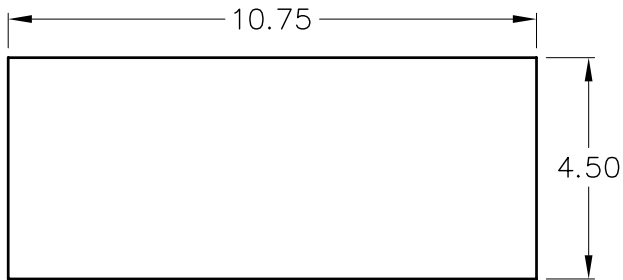
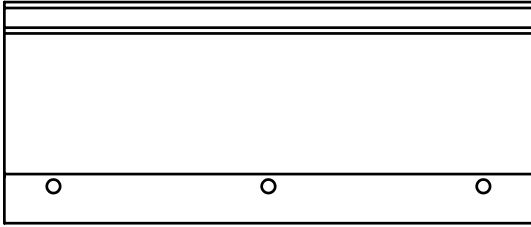
RUNWAY KIT, CABLE RADIUS DROP

ITEM NO.	ICCMSLCRDK
DWG NO.	PSCMSLCRDK

REV.	A
PAGE NO.	1




CUSTOMER CARE / TECHNICAL SUPPORT * CSR@ICC.COM / 888-ASK-4-ICC (275-4422) * 16800 Edwards Road, Cerritos, CA 90703 * Phone 562-356-3111 * Fax 562-356-3100 * www.icc.com



NOTE: UNLESS OTHERWISE SPECIFIED

- 1. MATERIAL: 6063 T6 ALUMINUM
- 2. SURFACE FINISH: BLACK POWDER COAT

RUNWAY KIT, CABLE RADIUS DROP		 <i>PremiumProducts</i> <i>ProvenPerformance</i> <i>CompetitivePrices</i>
ITEM NO.	ICCMSLCRDK	
DWG NO.	PSCMSLCRDK	PAGE NO. 2

CUSTOMER CARE / TECHNICAL SUPPORT * CSR@ICC.COM / 888-ASK-4-ICC (275-4422) * 16800 Edwards Road, Cerritos, CA 90703 * Phone 562-356-3111 * Fax 562-356-3100 * www.icc.com