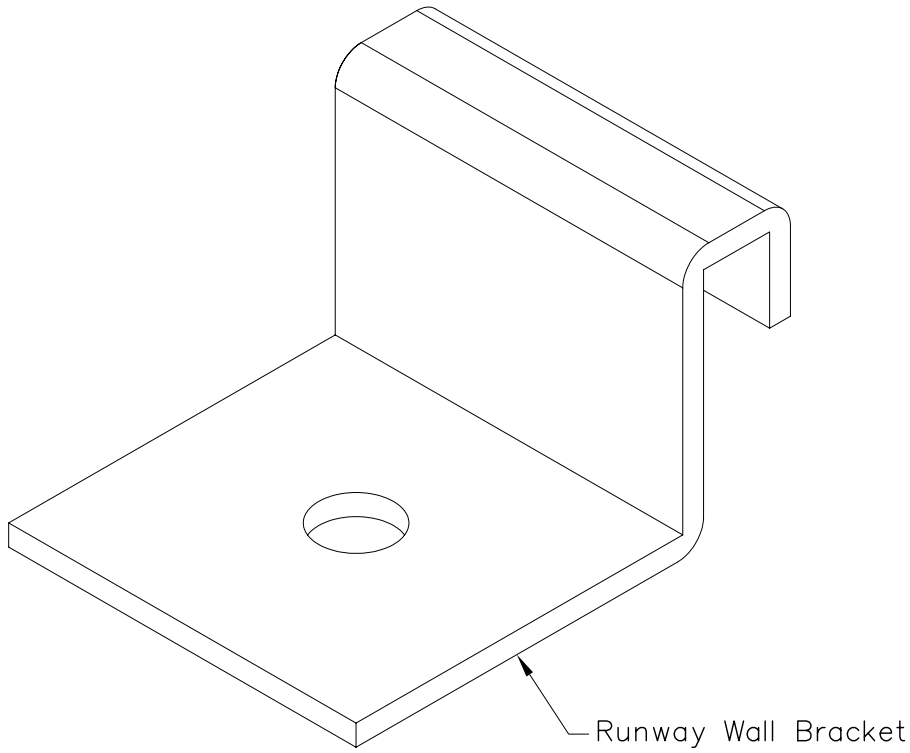


Runway Wall Bracket

PRODUCT SPECIFICATION

Package includes:

A. Runway Wall Bracket, 2 pcs



Features and Benefits:

- Designed with durable steel construction, black powder coated, providing strength and stability for long lasting use
- Designed to secure runway sections flat against the wall
- Used with ICCMSLST ladder rack runways

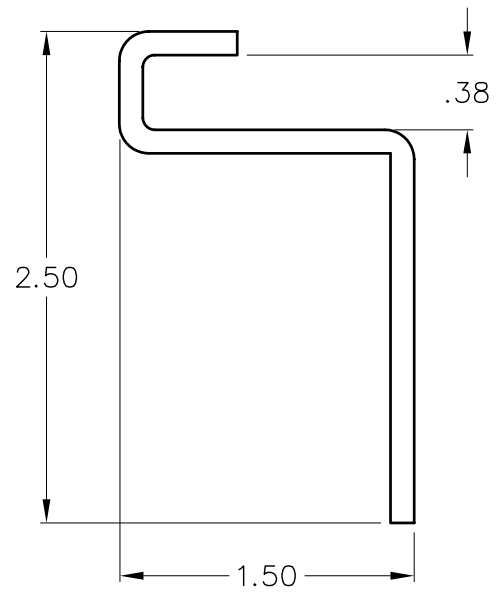
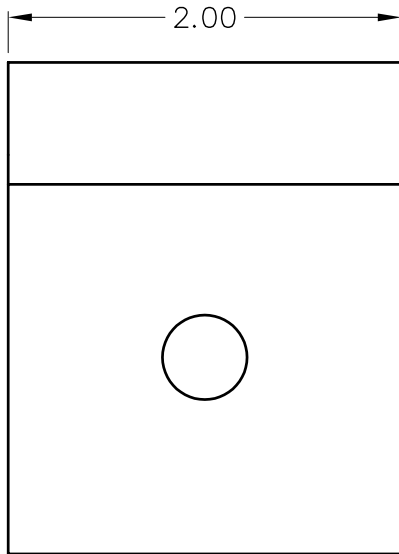
RUNWAY WALL BRACKET, 2 EA

ITEM NO. ICCMSLVWBK
DWG NO. PSCMSLVWBK

REV. A
PAGE NO. 1



CUSTOMER CARE / TECHNICAL SUPPORT * CSR@ICC.COM / 888-ASK-4-ICC (275-4422) * 16800 Edwards Road, Cerritos, CA 90703 * Phone 562-356-3111 * Fax 562-356-3100 * www.icc.com



NOTE: UNLESS OTHERWISE SPECIFIED

- 1. MATERIAL: 11 GA CRS
- 2. SURFACE FINISH: BLACK POWDER COAT

RUNWAY WALL BRACKET, 2 EA

ITEM NO. ICCMSLVWBK
 DWG NO. PSCMSLVWBK

REV. A
 PAGE NO. 2



CUSTOMER CARE / TECHNICAL SUPPORT * CSR@ICC.COM / 888-ASK-4-ICC (275-4422) * 16800 Edwards Road, Cerritos, CA 90703 * Phone 562-356-3111 * Fax 562-356-3100 * www.icc.com