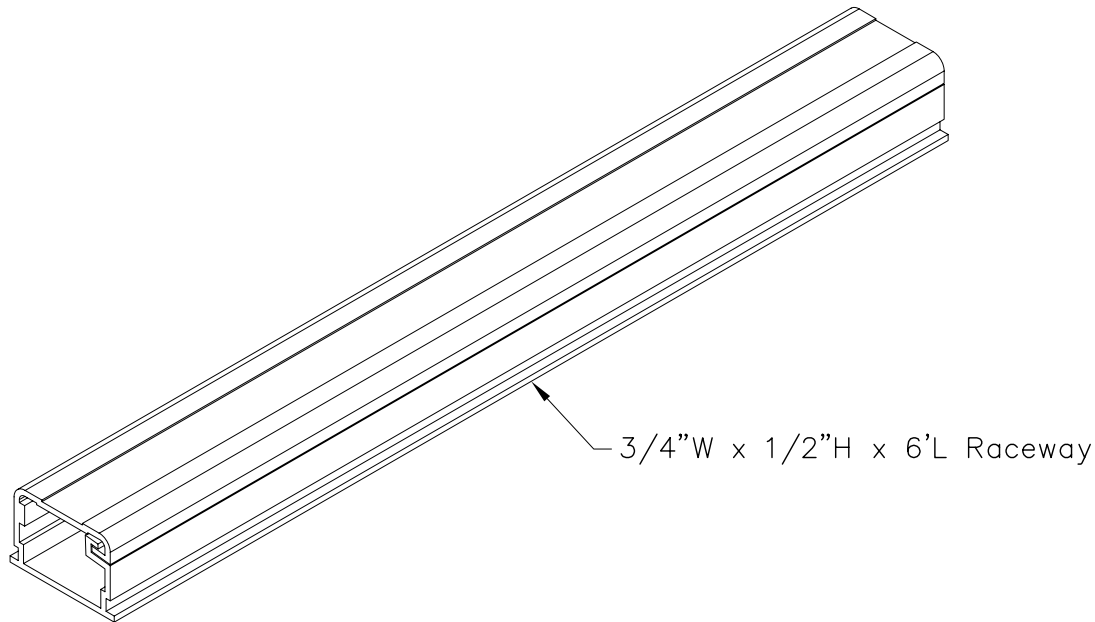


3/4"W x 1/2"H x 6'L Raceway

PRODUCT SPECIFICATION

Package includes:

- A. 3/4"W x 1/2"H x 6'L Raceway, 20 pcs
- B. Installation Instructions, 1 sheet



Features and Benefits:

- Designed to blend in and conceal voice, data, coax, audio, video, and fiber cables in office and residential environments
- Integrated one piece latching system provides a simple and quick install
- Adhesive backing allows a secure and permanent placement
- Easy to cut, trim, and paint to fit virtually any decor and application layout
- Accommodates a wide variety of outlet boxes including IC108SB Elite surface mount boxes, IC108MMB multi-media boxes, IC107M mounting boxes, and ICACSMB junction boxes
- Used with ICACSTPE60 raceway cutting tool
- Available in ivory and white
- Installation instructions #MSR-0334 included

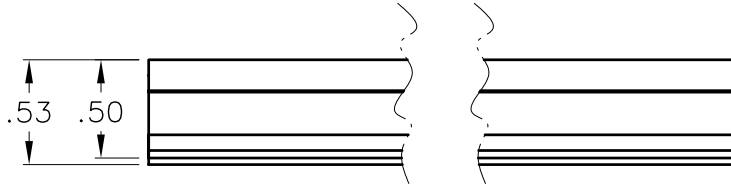
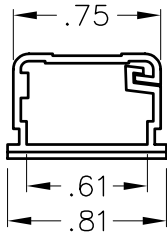
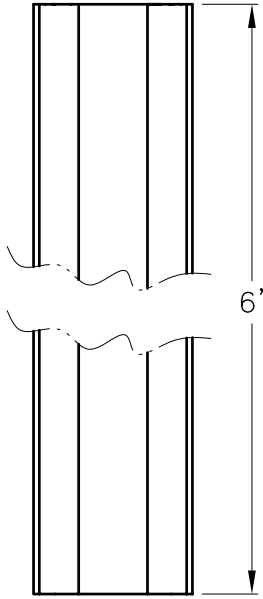
RACEWAY, 3/4"W X 1/2"H X 6'L, 20 PK

ITEM NO.	ICRW11SRXX
DWG NO.	PSRW11SR00

REV.	A
PAGE NO.	1



CUSTOMER CARE / TECHNICAL SUPPORT * CSR@ICC.COM / 888-ASK-4-ICC (275-4422) * 16800 Edwards Road, Cerritos, CA 90703 * Phone 562-356-3111 * Fax 562-356-3100 * www.icc.com



NOTE: UNLESS OTHERWISE SPECIFIED

- 1. MATERIAL: PVC, UL 94V-0
- 2. COLOR: XX: IV-IVORY & WH-WHITE

RACEWAY, 3/4"W X 1/2"H X 6'L, 20 PK				
ITEM NO.	ICRW11SRXX		REV.	A
DWG NO.	PSRW11SR00		PAGE NO.	2

CUSTOMER CARE / TECHNICAL SUPPORT * CSR@ICC.COM / 888-ASK-4-ICC (275-4422) * 16800 Edwards Road, Cerritos, CA 90703 * Phone 562-356-3111 * Fax 562-356-3100 * www.icc.com