
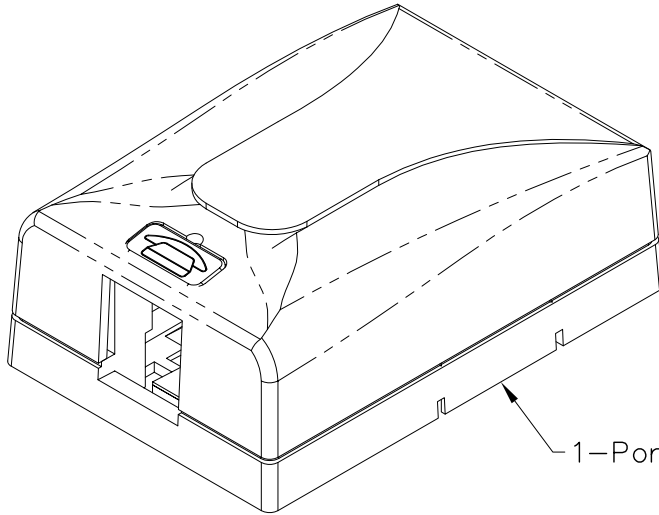


1-Port Elite Surface Mount Box

PRODUCT SPECIFICATION

Package includes:

- A. Elite Surface Mount Box Cover, 1 pc
- B. Elite Surface Mount Box Base, 1 pc
- C.  Icon, 1 pc
- D. Double Sided Adhesive Strip, 1 pc
- E. #6 x 3/4" Pan Head, Sharp Point Tapping Screw, 2 pcs



1-Port Elite Surface Mount Box

Features and Benefits:

- Provides a clean modular surface mount outlet solution of voice, data, and other communication needs to the work area for commercial or residential applications
- Multiple mounting options including adhesive backing, screws, and magnets
- Rugged and durable construction
- Easy system administration with use of enclosed icons
- Raceway knockouts integrate with raceway systems
- Used with ICRW11 raceway system
- Accommodates a wide variety of easy to snap-in modules, providing configuration flexibility
- Accepts all IC107 modules
- Available in gray, ivory, and white
- UL listed

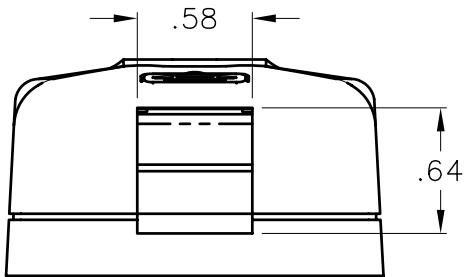
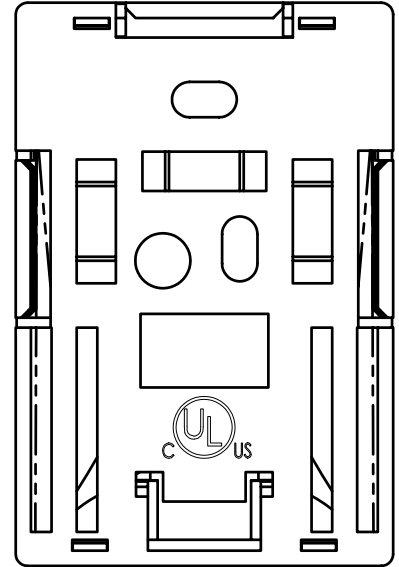
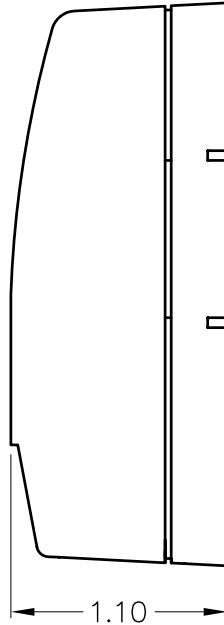
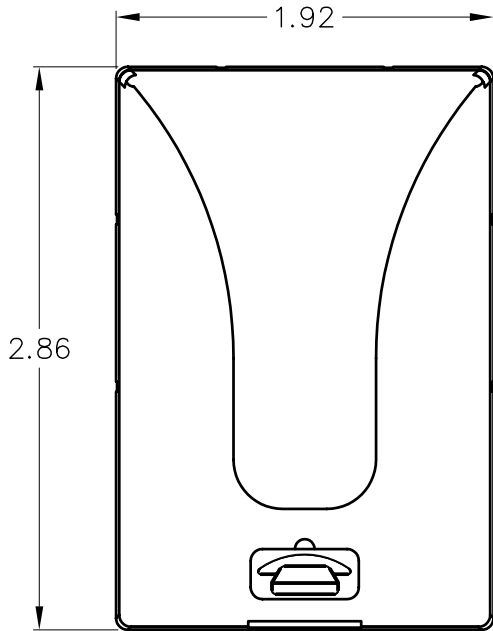
SURFACE MOUNT BOX, ELITE, 1-PORT

ITEM NO.	IC108SB1XX
DWG NO.	PS108SB100

REV.	A
PAGE NO.	1




CUSTOMER CARE / TECHNICAL SUPPORT * CSR@ICC.COM / 888-ASK-4-ICC (275-4422) * 16800 Edwards Road, Cerritos, CA 90703 * Phone 562-356-3111 * Fax 562-356-3100 * www.icc.com



NOTE: UNLESS OTHERWISE SPECIFIED

1. MATERIAL: ABS, UL 94V-0
2. COLOR: XX: GY-GRAY, IV-IVORY, & WH-WHITE
3. KNOCKOUT DIMENSIONS: .80"X.55"

UL US FILE NO. 125268

SURFACE MOUNT BOX, ELITE, 1-PORT		 <i>PremiumProducts</i> <i>ProvenPerformance</i> <i>CompetitivePrices</i>	
ITEM NO.	IC108SB1XX		REV. A
DWG NO.	PS108SB100	PAGE NO.	2

CUSTOMER CARE / TECHNICAL SUPPORT * CSR@ICC.COM / 888-ASK-4-ICC (275-4422) * 16800 Edwards Road, Cerritos, CA 90703 * Phone 562-356-3111 * Fax 562-356-3100 * www.icc.com