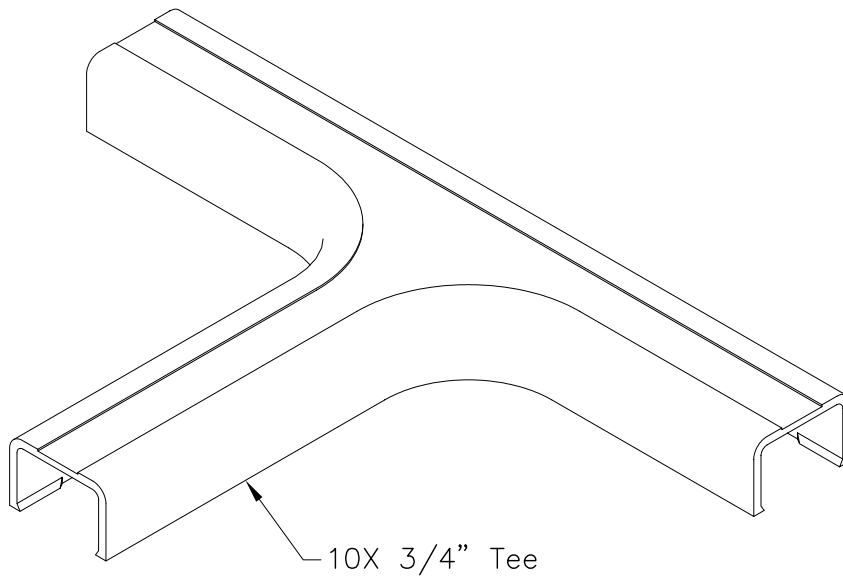


3/4" Tee

PRODUCT SPECIFICATION


Package includes:

A. 3/4" Tee, 10 pcs

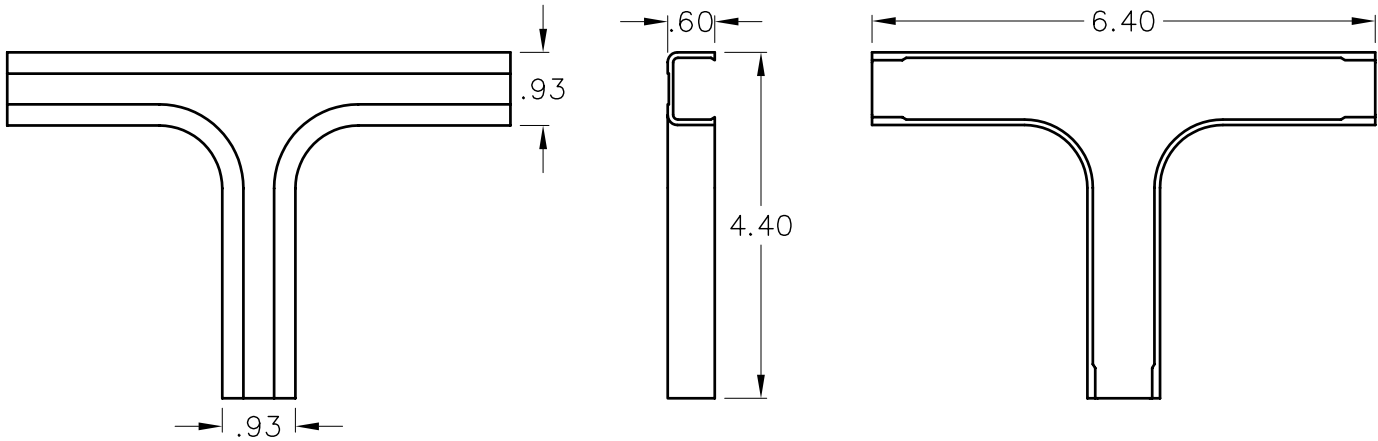


Features and Benefits:

- Designed to attach three raceway sections while maintaining bend radius
- Accommodates ICRW11SR and ICRW118R 3/4"W x 1/2"H raceway sections
- Available in ivory and white

TEE, 3/4", 10 PK		 <i>PremiumProducts</i> <i>ProvenPerformance</i> <i>CompetitivePrices</i>			
ITEM NO.	ICRW11TOXX			REV.	A
DWG NO.	PSRW11TO00			PAGE NO.	1

CUSTOMER CARE / TECHNICAL SUPPORT * CSR@ICC.COM / 888-ASK-4-ICC (275-4422) * 16800 Edwards Road, Cerritos, CA 90703 * Phone 562-356-3111 * Fax 562-356-3100 * www.icc.com



NOTE: UNLESS OTHERWISE SPECIFIED

1. MATERIAL: HIGH IMPACT STYRENE
2. COLOR: XX: IV-IVORY & WH-WHITE

TEE, 3/4", 10 PK

ITEM NO.	ICRW11TOXX
DWG NO.	PSRW11TO00

REV.	A
PAGE NO.	2



CUSTOMER CARE / TECHNICAL SUPPORT * CSR@ICC.COM / 888-ASK-4-ICC (275-4422) * 16800 Edwards Road, Cerritos, CA 90703 * Phone 562-356-3111 * Fax 562-356-3100 * www.icc.com