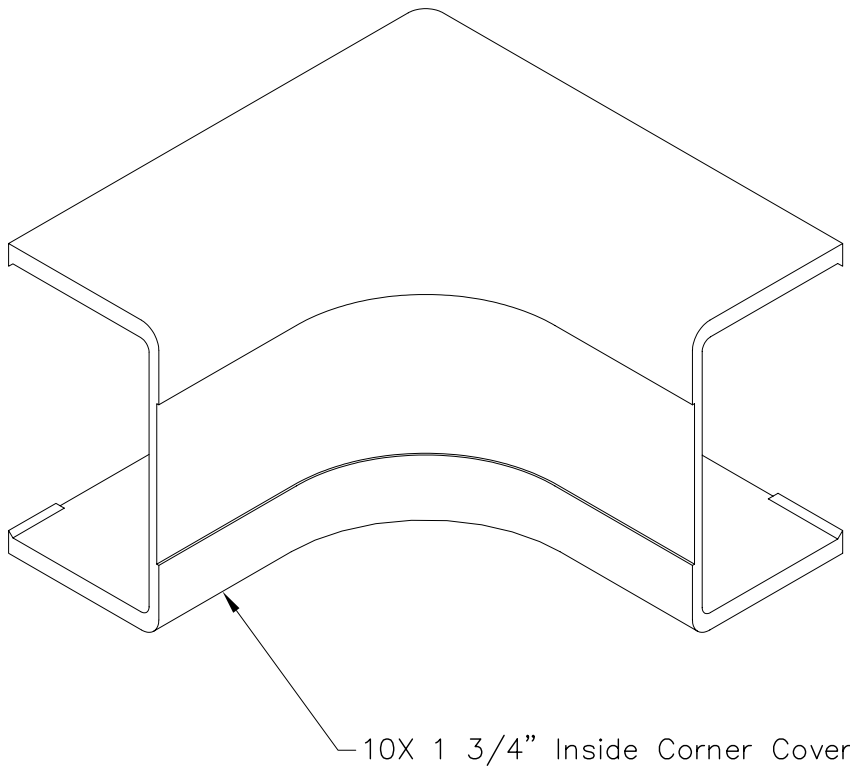


1 3/4" Inside Corner Cover

PRODUCT SPECIFICATION

Package includes:

A. 1 3/4" Inside Corner Cover, 10 pcs



Features and Benefits:

- Designed to maintain cable bend radius
- Accommodates ICRW13SR and ICRW138R 1 3/4"W x 1"H raceway sections
- Available in ivory and white

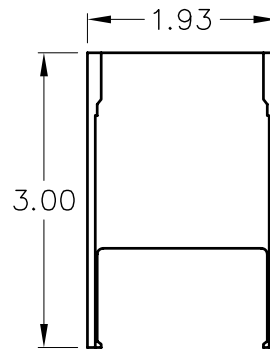
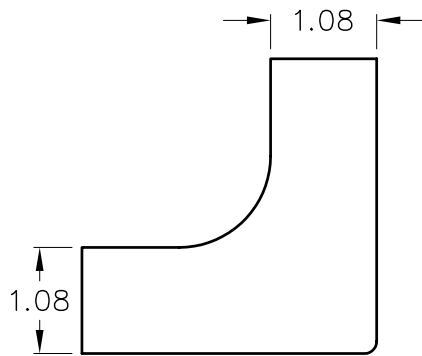
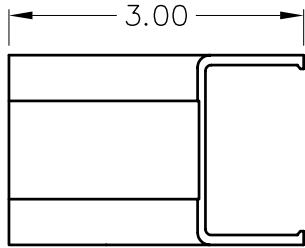
INSIDE CORNER COVER, 1 3/4", 10 PK

ITEM NO.	ICRW13ICXX
DWG NO.	PSRW13IC00

REV.	A
PAGE NO.	1




CUSTOMER CARE / TECHNICAL SUPPORT * CSR@ICC.COM / 888-ASK-4-ICC (275-4422) * 16800 Edwards Road, Cerritos, CA 90703 * Phone 562-356-3111 * Fax 562-356-3100 * www.icc.com



NOTE: UNLESS OTHERWISE SPECIFIED

- 1. MATERIAL: HIGH IMPACT STYRENE
- 2. COLOR: XX: IV-IVORY & WH-WHITE

INSIDE CORNER COVER, 1 3/4", 10 PK			
ITEM NO.	ICRW13ICXX		REV. A
DWG NO.	PSRW13IC00		PAGE NO. 2

CUSTOMER CARE / TECHNICAL SUPPORT * CSR@ICC.COM / 888-ASK-4-ICC (275-4422) * 16800 Edwards Road, Cerritos, CA 90703 * Phone 562-356-3111 * Fax 562-356-3100 * www.icc.com