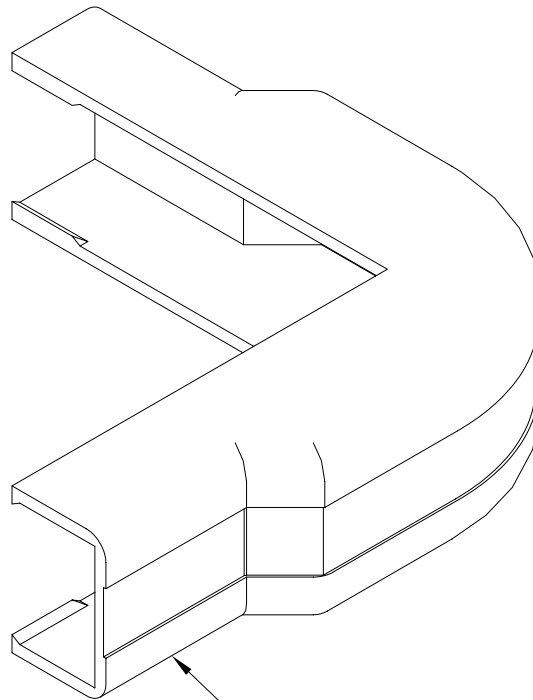


3/4" Outside Corner Cover

PRODUCT SPECIFICATION

Package includes:

A. 3/4" Outside Corner Cover, 10 pcs



10X 3/4" Outside Corner Cover

Features and Benefits:

- Designed to maintain cable bend radius
- Accommodates ICRW11SR and ICRW118R 3/4"W x 1/2"H raceway sections
- Available in ivory and white

OUTSIDE CORNER COVER, 3/4", 10 PK

ITEM NO. ICRW110CXX

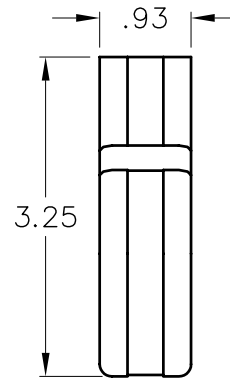
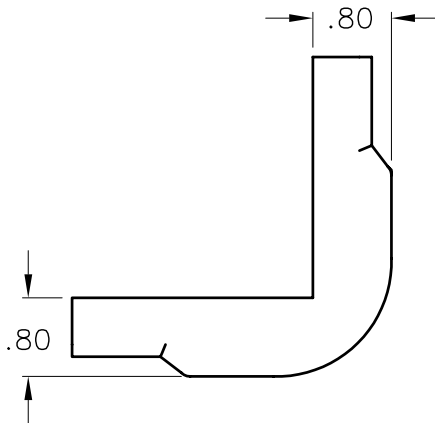
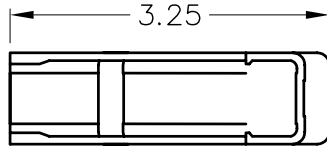
REV. A

DWG NO. PSRW110C00

PAGE NO. 1




CUSTOMER CARE / TECHNICAL SUPPORT * CSR@ICC.COM / 888-ASK-4-ICC (275-4422) * 16800 Edwards Road, Cerritos, CA 90703 * Phone 562-356-3111 * Fax 562-356-3100 * www.icc.com



NOTE: UNLESS OTHERWISE SPECIFIED

- 1. MATERIAL: HIGH IMPACT STYRENE
- 2. COLOR: XX: IV-IVORY & WH-WHITE

OUTSIDE CORNER COVER, 3/4", 10 PK			
ITEM NO.	ICRW110CXX		REV. A
DWG NO.	PSRW110C00		PAGE NO. 2

CUSTOMER CARE / TECHNICAL SUPPORT * CSR@ICC.COM / 888-ASK-4-ICC (275-4422) * 16800 Edwards Road, Cerritos, CA 90703 * Phone 562-356-3111 * Fax 562-356-3100 * www.icc.com